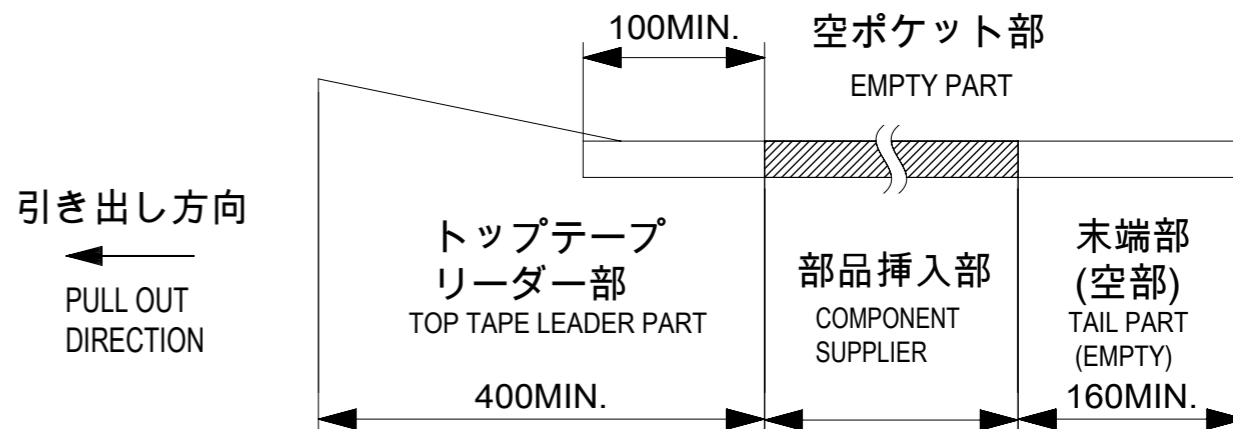


NOTES

- 梱包数量 : 1500個 / リール  
NUMBER OF CONNECTORS : 1500 PCS/REEL.
- リードテープ長さ  
LEAD TAPE LENGTH



- カバーテープの剥離強度については、IEC60286-3に準拠。  
TOP TAPE PEEL FORCE IS DEFINED BY IEC 60286-3.
- 製品詳細寸法については、図面 2004851400を参照下さい。  
FOR DIMENTIONS OF PRODUCT, REFER TO 2004851400
- 材料 MATERIAL  
キャリアテープ : ポリスチレン  
CARRIER TAPE : POLYSTYRENE  
トップテープ : ポリエチレンテレフタレート、ポリエチレン  
TOP TAPE : POLYETHYLENE TEREHTHALATE, POLYETHYLENE  
リール : ポリスチレン<リサイクル材を含む>  
REEL: POLYSTYRENE RECYCLED MATERIAL CONTAINED
- ELV及びRoHS適合品 ELV AND RoHS COMPLIANT.

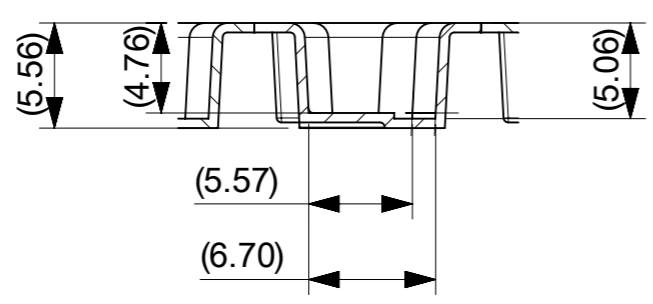
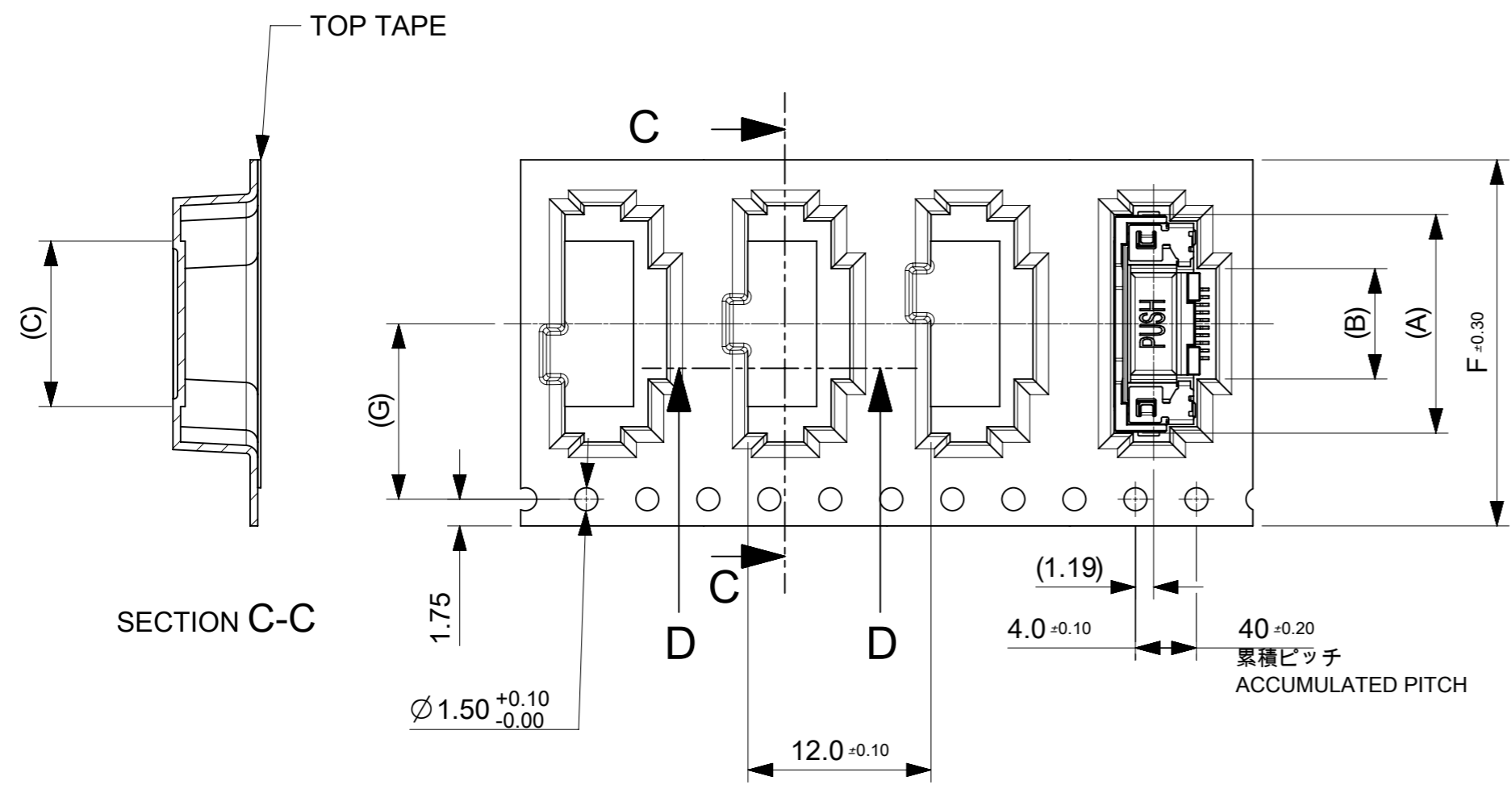
THIS DRAWING CONTAINS INFORMATION THAT IS PROPRIETARY TO MOLEX ELECTRONIC TECHNOLOGIES, LLC AND SHOULD NOT BE USED WITHOUT WRITTEN PERMISSION		CURRENT REV DESC:		<b>molex</b>		
DIMENSION UNITS	SCALE					
mm	NTS			EMB PKG ONE-TOUCH RA		
GENERAL TOLERANCES (UNLESS SPECIFIED)				PRODUCT CUSTOMER DRAWING		
ANGULAR TOL	± 1.0 °			DOCUMENT NUMBER		
4 PLACES	± 0.1	EC NO: 648126		2004850400		
3 PLACES	± 0.1	DRWN: TYAMANE		PSD		
2 PLACES	± 0.1	CHK'D: YMATSUMOTO		000		
1 PLACE	± 0.1	APPR: SHOSHIKAWA		B		
0 PLACES	± 0.1	INITIAL REVISION:		REVISION		
DRAFT WHERE APPLICABLE MUST REMAIN WITHIN DIMENSIONS		THIRD ANGLE PROJECTION	DRAWING	SERIES	MATERIAL NUMBER	CUSTOMER
			A3-SIZE	200485	SEE TABLE	GENERAL
						SHEET NUMBER
						1 OF 3

10 9 8 7 6 5 4 3 2 1

F E D C B A

引き出し方向  
PULL OUT  
DIRECTION

TOP TAPE



SECTION D-D

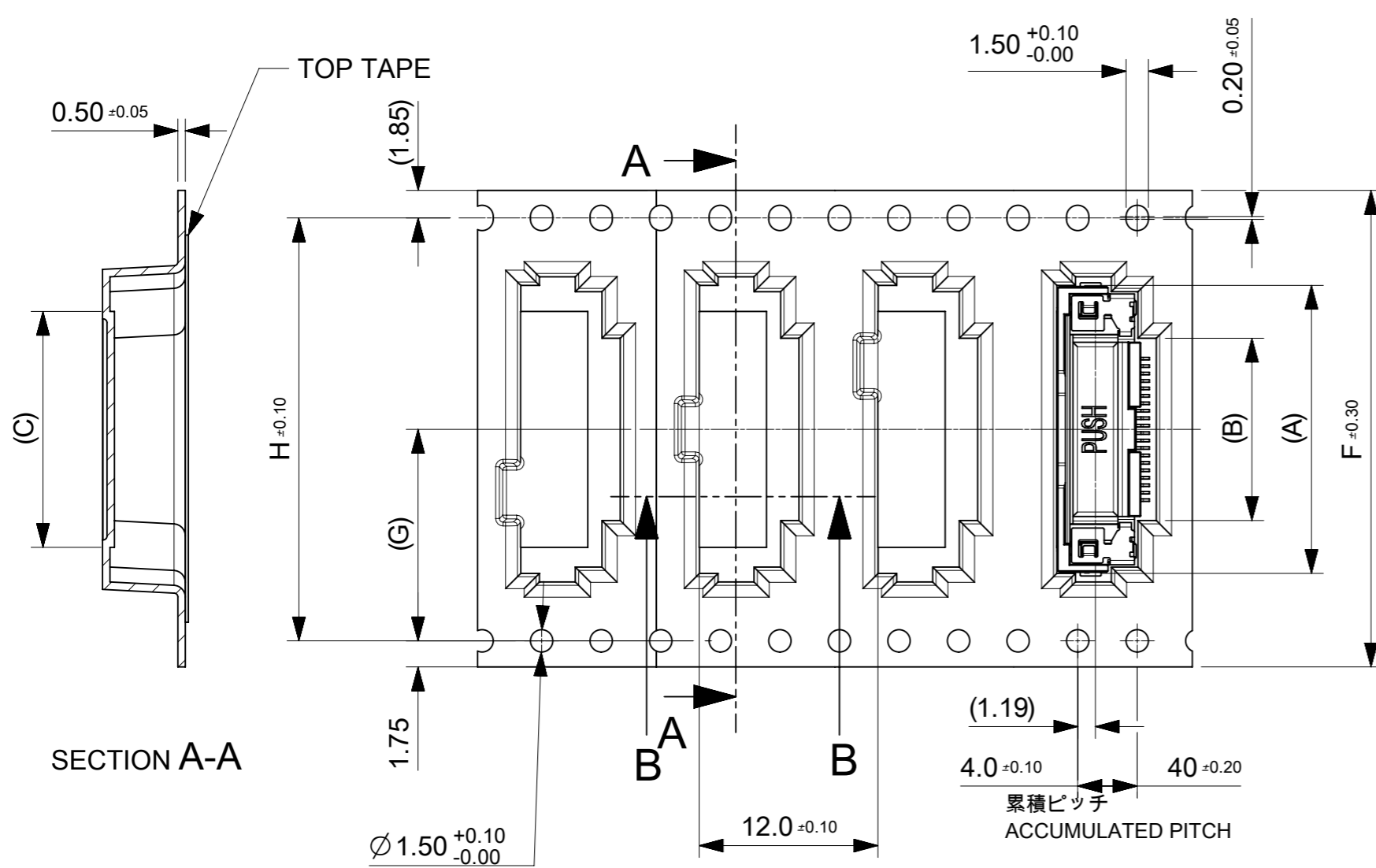
11.5	24	29.4	25.4	10.84	7.04	14.34	2004850410	10
G	F	E	D	C	B	A	EMBOSSED PACKAGE	Ckt
							オーダー番号 ORDER NO.	

THIS DRAWING CONTAINS INFORMATION THAT IS PROPRIETARY TO MOLEX ELECTRONIC TECHNOLOGIES, LLC AND SHOULD NOT BE USED WITHOUT WRITTEN PERMISSION											
DIMENSION UNITS		SCALE		CURRENT REV DESC:						<b>molex</b>	
mm		NTS									
GENERAL TOLERANCES (UNLESS SPECIFIED)				EC NO: 648126						EMB PKG ONE-TOUCH RA	
ANGULAR TOL ± 1.0 °				DRWN: TYAMANE 2020/10/15						PRODUCT CUSTOMER DRAWING	
4 PLACES ± 0.1				CHK'D: YMATSUMOTO 2020/10/30						DOCUMENT NUMBER	
3 PLACES ± 0.1				APPR: SHOSHIKAWA 2020/11/02						DOC TYPE	
2 PLACES ± 0.1				INITIAL REVISION:						DOC PART	
1 PLACE ± 0.1				DRWN: TYAMANE 2018/09/28						REVISION	
0 PLACES ± 0.1				APPR: SHOSHIKAWA 2020/06/08						2004850400	
DRAFT WHERE APPLICABLE MUST REMAIN WITHIN DIMENSIONS				THIRD ANGLE PROJECTION		DRAWING		SERIES		MATERIAL NUMBER	
				A3-SIZE		200485		CUSTOMER		GENERAL	
								SEE TABLE		SHEET NUMBER	
								2 OF 3			

CONNECTOR NO. 20048514\*\*

9 8 7 6 5 4 3 2 1

引き出し方向  
PULL OUT  
DIRECTION



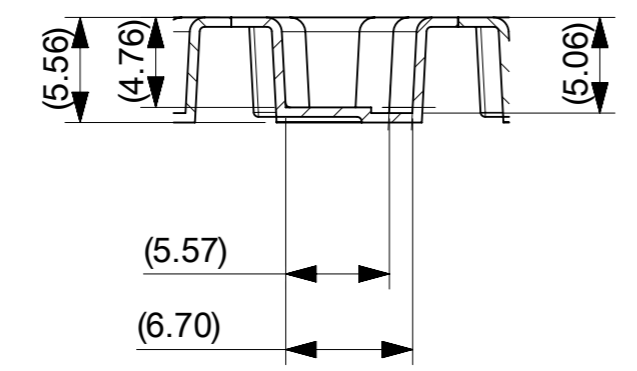
1.50 <sup>+0.10</sup> / <sub>-0.00</sub>

0.20 ±0.05

(1.19)  
4.0 ±0.10      40 ±0.20  
累積ピッチ  
ACCUMULATED PITCH

Ø 1.50 <sup>+0.10</sup> / <sub>-0.00</sub>

68.4	34.2	72	78.1	73.5	45.84	42.04	49.34	2004850480	80
					40.84	37.04	44.34	2004850470	70
52.4	26.2	56	61.4	75.4	35.84	32.04	39.34	2004850460	60
					31.34	27.54	34.84	2004850451	51
					30.84	27.04	34.34	2004850450	50
40.4	20.2	44	49.4	45.4	25.84	22.04	29.34	2004850440	40
					23.34	19.54	26.84	2004850435	35
					20.84	17.04	24.34	2004850430	30
28.4	14.2	32	37.4	33.4	15.84	12.04	19.34	2004850420	20
H	G	F	E	D	C	B	A	EMBOSSED PACKAGE	Ckt
								オーダー番号 ORDER NO.	

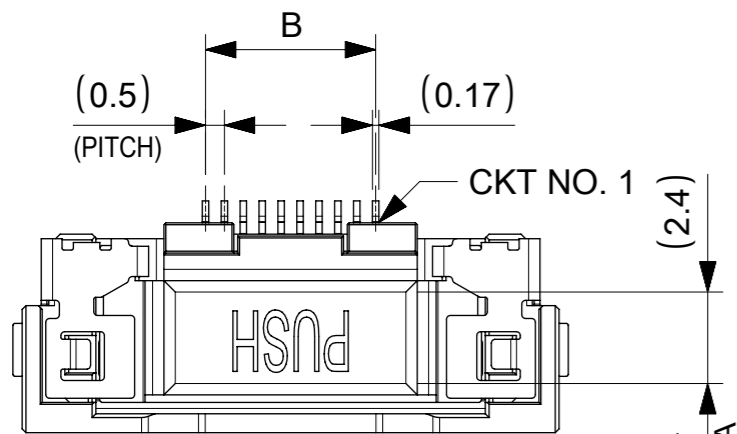


SECTION B-B

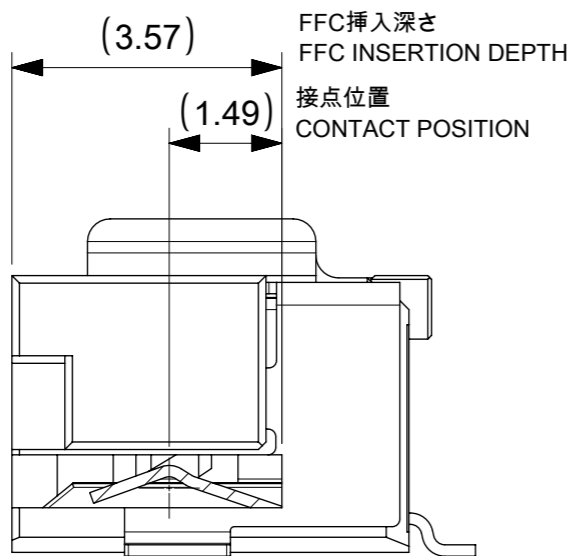
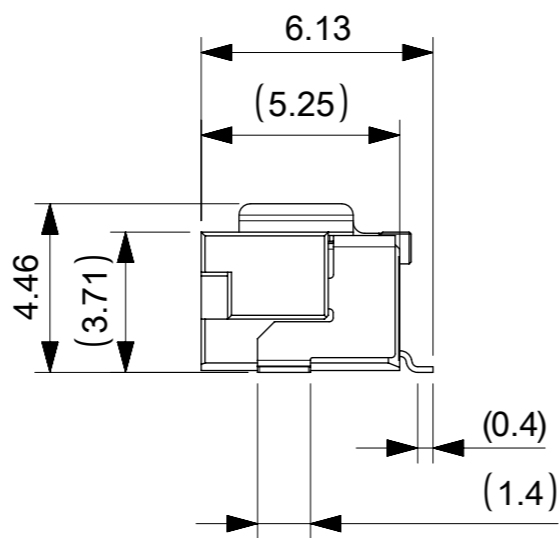
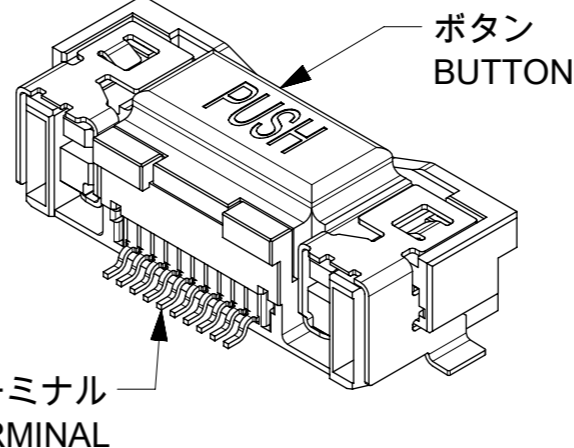
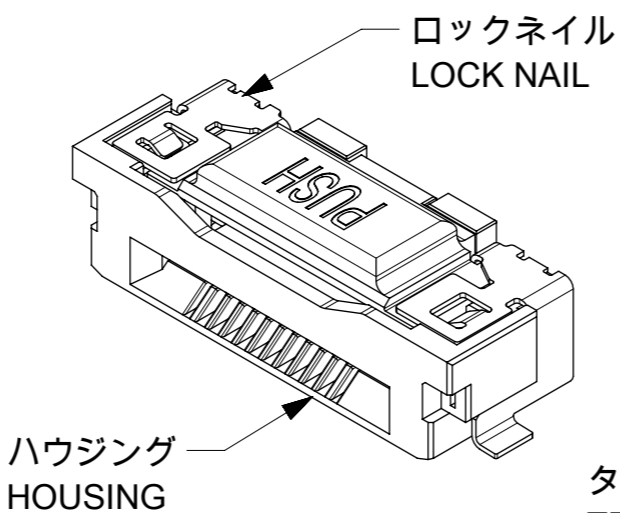
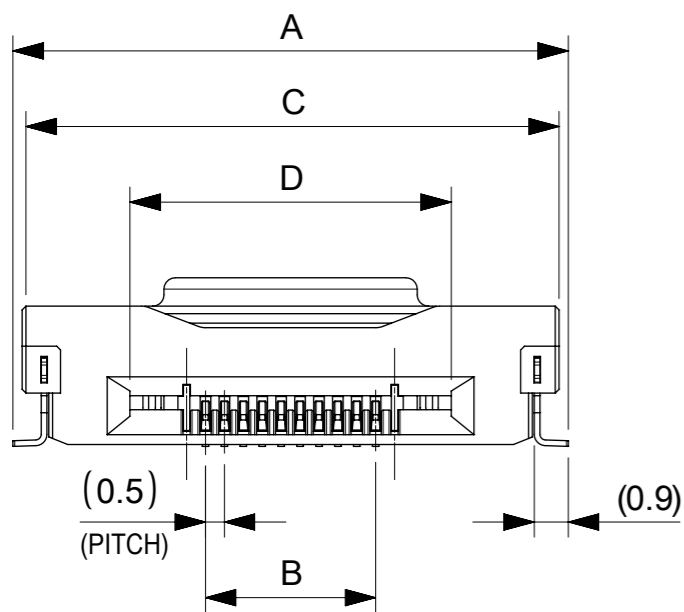
CONNECTOR NO. 20048514\*\*

THIS DRAWING CONTAINS INFORMATION THAT IS PROPRIETARY TO MOLEX ELECTRONIC TECHNOLOGIES, LLC AND SHOULD NOT BE USED WITHOUT WRITTEN PERMISSION

DIMENSION UNITS mm	SCALE NTS	CURRENT REV DESC:		<b>molex</b>	
GENERAL TOLERANCES (UNLESS SPECIFIED)		EC NO: 648126			
ANGULAR TOL	± 1.0 °	DRWN: TYAMANE 2020/10/15		PRODUCT CUSTOMER DRAWING	
4 PLACES	± 0.1	CHK'D: YMATSUMOTO 2020/10/30		DOCUMENT NUMBER	
3 PLACES	± 0.1	APPR: SHOSHIKAWA 2020/11/02		2004850400	
2 PLACES	± 0.1	INITIAL REVISION:		DOC TYPE	DOC PART
1 PLACE	± 0.1	DRWN: TYAMANE 2018/09/28		PSD	000
0 PLACES	± 0.1	APPR: SHOSHIKAWA 2020/06/08		REVISION	B
DRAFT WHERE APPLICABLE MUST REMAIN WITHIN DIMENSIONS		THIRD ANGLE PROJECTION	DRAWING	SERIES	MATERIAL NUMBER
			A3-SIZE	200485	SEE TABLE
					CUSTOMER
					GENERAL
					SHEET NUMBER
					3 OF 3



(2.4)  
吸着エリア  
PICK AND PLACE AREA

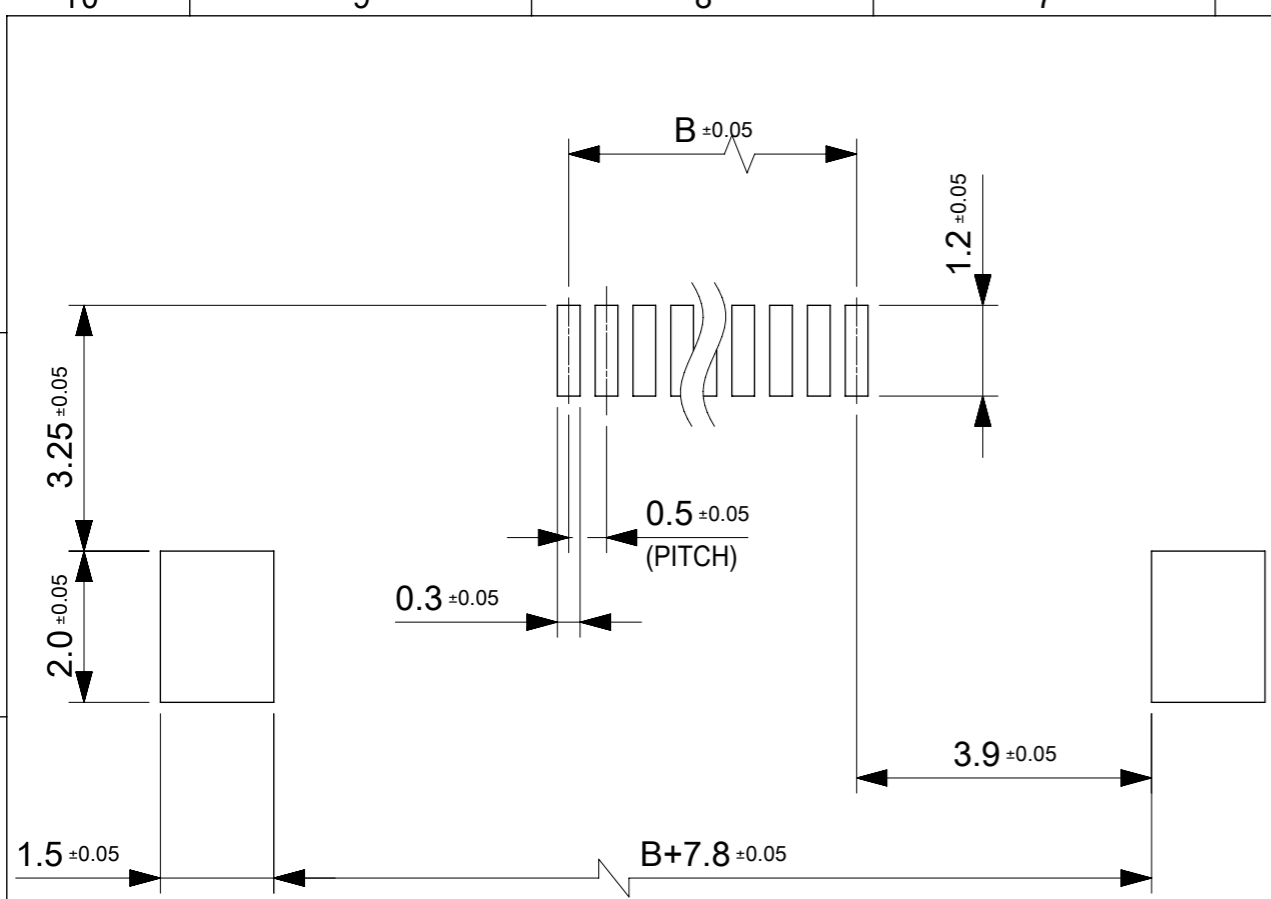


NOTES:

- 1.使用材料 MATERIAL  
 ハウジング: 液晶ポリマー, ガラス充填, UL94V-0(黒)  
 HOUSING: LIQUID CRYSTAL POLYMER, GLASS FILLED, UL94V-0(BLACK)  
 ボタン: 液晶ポリマー, ガラス充填, UL94V-0(ナチュラル)  
 BUTTON: LIQUID CRYSTAL POLYMER, GLASS FILLED, UL94V-0(NATURAL)  
 ターミナル: 銅合金(t=0.15)  
 TERMINAL: COPPER ALLOY  
 ロックネイル: 銅合金(t=0.15)  
 LOCK NAIL: COPPER ALLOY
- 2.めっき仕様 PLATING  
 ターミナル TERMINAL  
 接点部: 金めっき 0.1μm以上  
 CONTACT AREA: GOLD 0.1 MICROMETER MINIMUM  
 半田付け部: 金めっき  
 SOLDER TAIL AREA: GOLD  
 下地めっき: ニッケル 1.0μm以上  
 UNDERPLATE: NICKEL 1.0 MICROMETER MINIMUM  
 ロックネイル LOCK NAIL  
 錫めっき(1.0μm以上)  
 TIN PLATING (1.0 MICROMETER MIN.)
- 3.平坦度は0.1ミリ以下とする。  
 COPLANALITY TO BE 0.1 MAXIMUM.

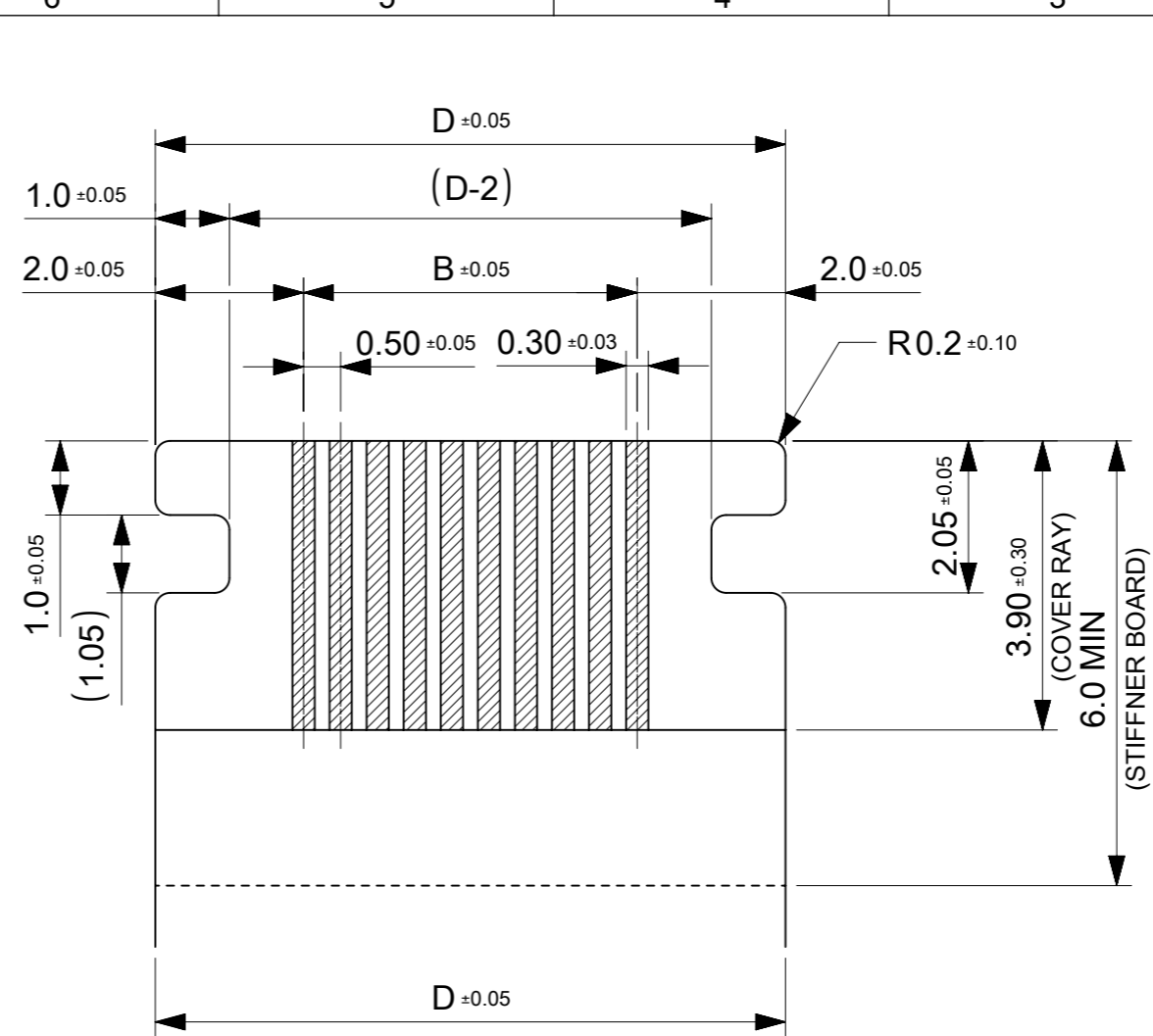
1.302	43.5	49.2	39.5	49.69	2004850480	80
1.195	38.5	44.2	34.5	44.69	2004850470	70
1.054	33.5	39.2	29.5	39.69	2004850460	60
0.958	29	34.7	25	35.19	2004850451	51
0.942	28.5	34.2	24.5	34.69	2004850450	50
0.796	23.5	29.2	19.5	29.69	2004850440	40
0.702	21	26.7	17	27.19	2004850435	35
0.650	18.5	24.2	14.5	24.69	2004850430	30
0.505	13.5	19.2	9.5	19.69	2004850420	20
0.359	8.5	14.2	4.5	14.69	2004850410	10
NET WEIGHT (g)	D	C	B	A	EMBOSSED PACKAGE	CIRCUIT
<b>CONNECTOR SERIES NO. 20048514**</b>						

DIMENSION UNITS		SCALE	CURRENT REV DESC:					
mm		5:1	<p style="text-align: center;"><b>molex</b></p> <p style="text-align: center;">0.5FFC CONN. RA ONE TOUCH ASS'Y</p> <p style="text-align: center;">PRODUCT CUSTOMER DRAWING</p>					
GENERAL TOLERANCES (UNLESS SPECIFIED)								
ANGULAR TOL	±	1.0°						
4 PLACES	±	0.1						
3 PLACES	±	0.1						
2 PLACES	±	0.1						
1 PLACE	±	0.1	EC NO: 753612	2023/06/15	DOC TYPE	DOC PART	REVISION	
0 PLACES	±	0.1	DRWN: RAJAGN	2023/06/16	2004851400	PSD	000	E
DRAFT WHERE APPLICABLE MUST REMAIN WITHIN DIMENSIONS			THIRD ANGLE PROJECTION	DRAWING	SERIES	MATERIAL NUMBER	CUSTOMER	SHEET NUMBER
				A3-SIZE	200485	SEE TABLE	GENERAL	1 OF 2



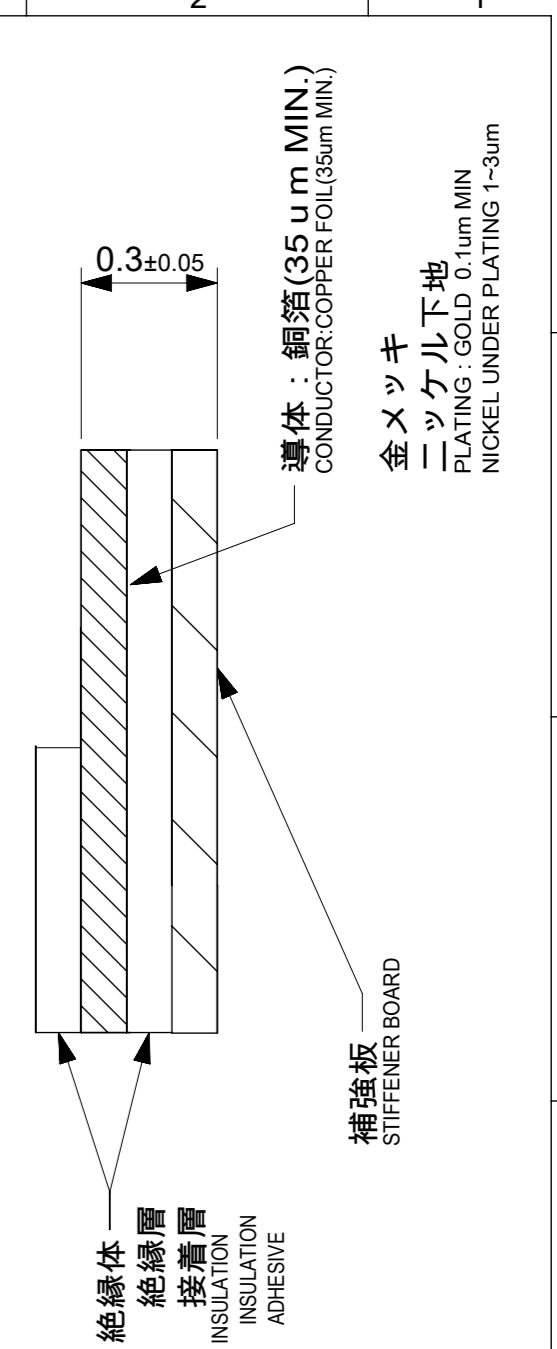
推奨PWB寸法  
RECOMMENDED PWB DIMENSION

推奨メタルマスク厚、開口率 :  $t=0.12\text{mm}$ , 80%  
 RECOMMENDED METAL MASK THICKNESS, APERTURE RATIO :  $t=0.12\text{mm}$ , 80%  
 ロックネイル部は開口率100%  
 APERTURE RATIO FOR LOCK NAIL: 100%



推奨FFC寸法  
RECOMMENDED FFC DIMENSION

抜き方向は導体側から補強版側を推奨します  
 RECOMMENDED PUNCHING DIRECTION:  
 FROM CONDUCTOR SIDE TO STIFFENER SIDE



導体 : 銅箔(35µm MIN.)  
 CONDUCTOR: COPPER FOIL(35µm MIN.)  
 金メッキ  
 ニッケル下地  
 PLATING : GOLD 0.1µm MIN  
 NICKEL UNDER PLATING 1~3µm

補強板  
STIFFENER BOARD

絶縁層  
絶縁層  
絶縁層  
絶縁層  
INSULATION  
INSULATION  
INSULATION  
INSULATION  
ADHESIVE

THIS DRAWING CONTAINS INFORMATION THAT IS PROPRIETARY TO MOLEX ELECTRONIC TECHNOLOGIES, LLC AND SHOULD NOT BE USED WITHOUT WRITTEN PERMISSION		CURRENT REV DESC:			<b>molex</b>					
DIMENSION UNITS	SCALE	EC NO: 753612 DRWN: RAJAGN 2023/06/15 CHK'D: HSHIMUYAMA 2023/06/16 APPR: YNAITO 2023/06/16						0.5FFC CONN. RA ONE TOUCH ASS'Y		
mm	10:1							PRODUCT CUSTOMER DRAWING		
GENERAL TOLERANCES (UNLESS SPECIFIED)		INITIAL REVISION:			DOCUMENT NUMBER	DOC TYPE	DOC PART	REVISION		
ANGULAR TOL ± 1.0°		DRWN: TYAMANE 2018/05/10 APPR: SHOSHIKAWA 2020/06/08			2004851400	PSD	000	E		
4 PLACES ± 0.1					MATERIAL NUMBER	CUSTOMER		SHEET NUMBER		
3 PLACES ± 0.1					SEE TABLE	GENERAL		2 OF 2		
2 PLACES ± 0.1										
1 PLACE ± 0.1										
0 PLACES ± 0.1										
DRAFT WHERE APPLICABLE MUST REMAIN WITHIN DIMENSIONS		THIRD ANGLE PROJECTION	DRAWING	SERIES						
			A3-SIZE	200485						
DOCUMENT STATUS	P1	RELEASE DATE	2023/06/16	06:21:55						